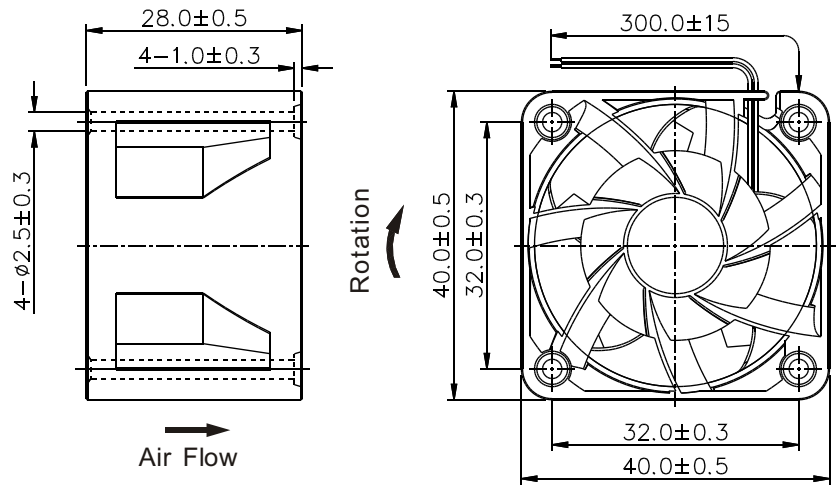




■ Dimensions Drawing



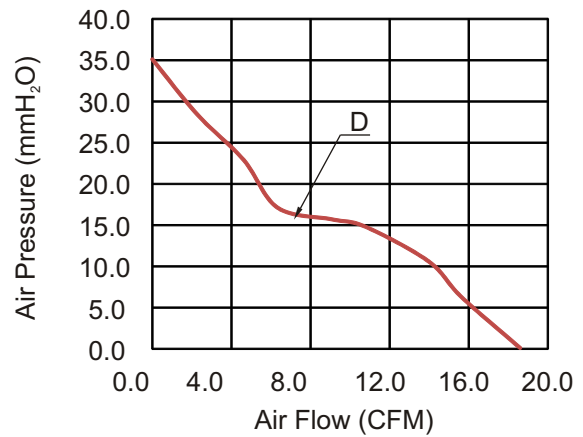
Unit: mm

General Specification:

- Frame and Impeller : Thermal Plastic , UL 94V-0
- Lead Wires : UL Type
(+) : Red (-) : Black
- Operation Temperature : -10°C~70°C、
35%~85%RH
- Storage Temperature : -40°C~80°C、
35%~85%RH



■ Performance Curves



Listed Model	Bearing System	Rated Voltage	Operation Voltage	Rated Current	Rated Speed	Air Flow	Air Pressure	Noise Level
		VDC	VDC	A	RPM	CFM	mmH ₂ O	dBA
RGD4028B1	Ball	12	6.0~13.8	0.65	16,000	18.6	35.1	53