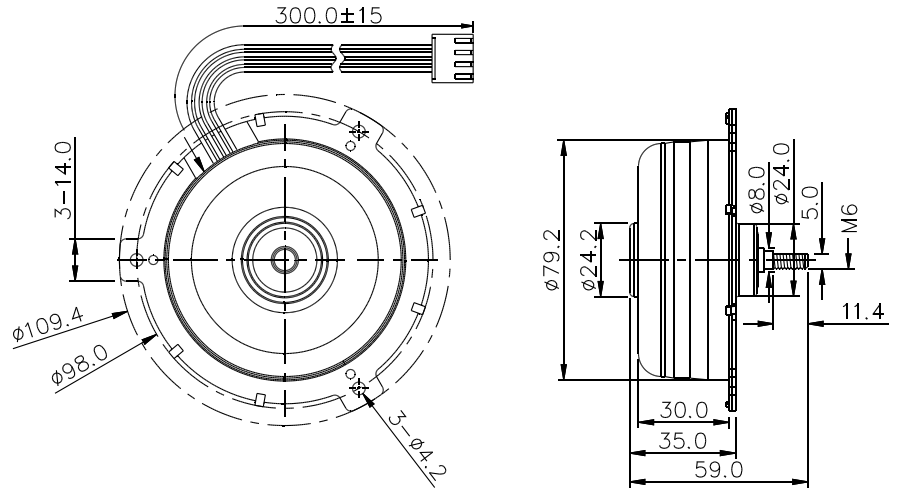


■ Dimensions Drawing



Unit:mm

General Specification

Steel Packed Type

Inner Rotor Motor

Plastic Ferrite Rotor

UL Type Lead Wire

Operation Temperature: -10°C ~ 60°C

35% ~ 85%RH

Storage Temperature : -10°C ~ 70°C、

35% ~ 85%RH

■ CONNECTOR PIN ASSIGNMENT

Red: Motor Driver Power, Vm(36VDC)

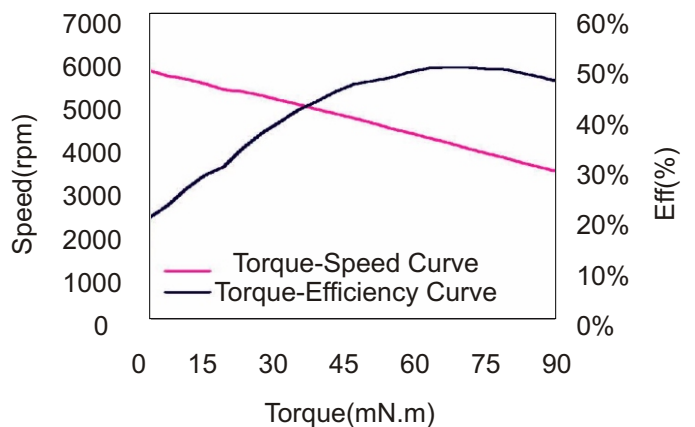
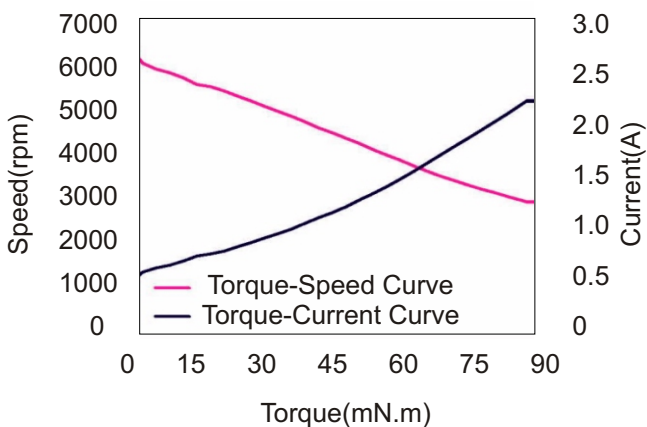
Yellow: Control IC Power, Vcc(12VDC)

White: Frequency Signal Output(2 pulses/rev.)

Black: GND

Model Number	Voltage		No Load			Rated Load			
	Operating (VDC)	Rated (VDC)	Speed (rpm)	Current (A)	Noise (dBA)	Speed (rpm)	Current (A)	Torque (mN.m)	Power (W)
RMH8032B3	5~40	36	6500	0.25	42	3800	1.35	60	24

■ TORQUE-SPEED/CURRENT/EFFICIENCY CHARACTERISTICS



Notes: ©All readings are typical values at rated voltage.
©Specifications subjected to change without prior notice.