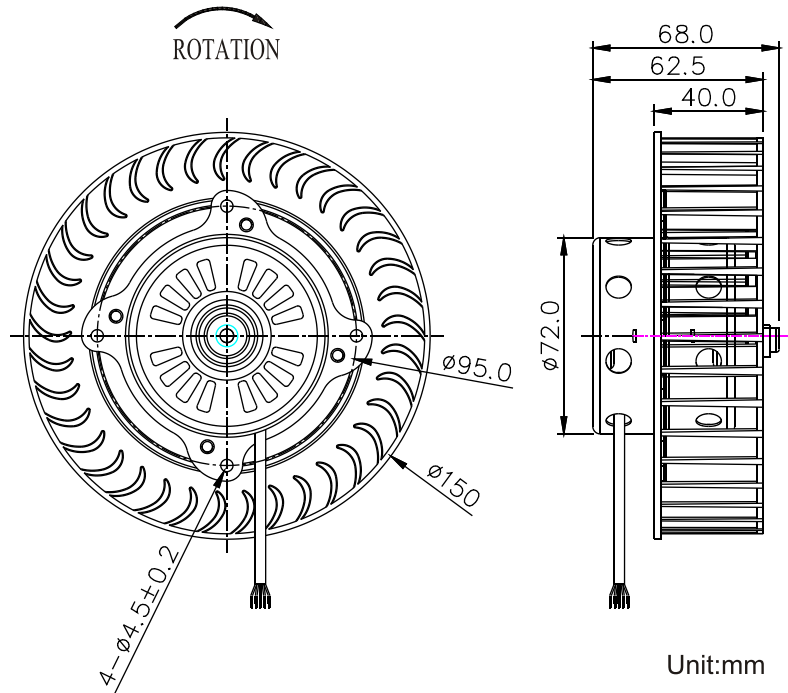


AC 2048 SERIES BLOWER



Size: $\Phi 150\text{mm} \times 68\text{mm}$
 Airflow: 42~87m³/hr
 25~51CFM
 Weight: 720g
 Noise: 27~50dBA
 Impeller: PP UL94V-0 Reinforced Plastic
 Lead Wire: UL 1430 20# OR Customize Design (Optional)
 Motor: Capacitor-Run Induction Motor
 Safety: UL CUL CE
 Operation Temperature: -30°C~+70°C

Unit:mm

Model	Bearing System	Voltage VAC	Freq. Hz	Current A	Power W	Speed RPM	Noise dBA	Air Flow		Static Pressure (mmH ₂ O)	Weight Gram
								M ³ /hr	CFM		
RCH2048S2-C2	Sleeve	100~125	60	0.35	40	1450(H)	50	87	51	5.3	720
		100~125	60	0.30	35	1150(M)	36	58	34	2.5	
		100~125	60	0.25	30	950(L)	27	42	25	1.3	

